

IMPERIAL MALE FITTINGS

HFIM01



THREAD	THREAD LENGTH	HEX	OAL	FITS
3/8" x 24NF	12.5mm	16mm	40mm	V

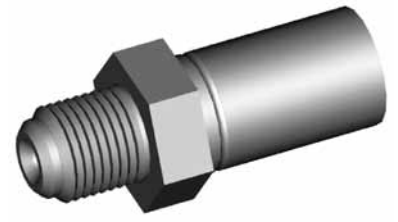
HFIM01B



Brass

THREAD	THREAD LENGTH	HEX	OAL	FITS
3/8" x 24NF	12.5mm	14mm	40mm	V

HFIM03



THREAD	THREAD LENGTH	HEX	OAL	FITS
7/16" x 20NF	12mm	16mm	40mm	V

HFIM04



Includes
Copper Sealing Washer

THREAD	THREAD LENGTH	HEX	OAL	FITS
11/16" x 16NF	20mm	19mm	50mm	V

HFIM08



THREAD	THREAD LENGTH	HEX	OAL	FITS
1/2" x 20NF	15.5mm	17mm	43mm	V

HFIM09



THREAD	THREAD LENGTH	HEX	OAL	FITS
7/16" x 20NF	13.5mm	16mm	69mm	US

HFIM10



THREAD	THREAD LENGTH	HEX	OAL	FITS
3/8" x 24NF	12.5mm	16mm	44mm	V

HFIM11



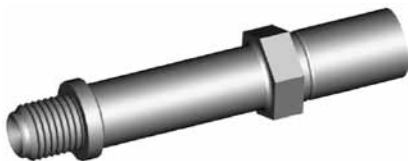
THREAD	THREAD LENGTH	HEX	OAL	FITS
3/8" x 24NF	13mm	16mm	68mm	V

HFIM13



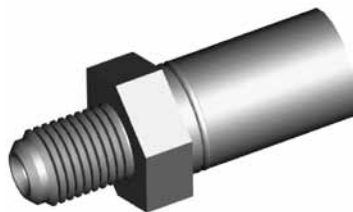
THREAD	THREAD LENGTH	HEX	OAL	FITS
7/16" x 24NS	12mm	16mm	40mm	V

HFIM14



THREAD	THREAD LENGTH	HEX	OAL	FITS
7/16" x 24NS	12mm	16mm	78mm	US

HFIM15



THREAD	THREAD LENGTH	HEX	OAL	FITS
3/8" x 20BSF	12.5mm	16mm	40mm	EU

HFIM16



THREAD	THREAD LENGTH	HEX	OAL	FITS
7/16" x 20NF	13mm	17mm	61mm	US

HFIM18



THREAD	THREAD LENGTH	HEX	OAL	FITS
3/8" x 24NF	12mm	16mm	53mm	US

HFIM19



THREAD	THREAD LENGTH	HEX	OAL	FITS
1/8" x 27NPT	12mm	14mm	40mm	V

HFIM21



THREAD	THREAD LENGTH	HEX	OAL	FITS
3/8" x 24NF	12.5mm	16mm	53mm	V

Standard Mount

A = Asian

EU = European

US = United States

UNI = Universal

V = Various

IMPERIAL MALE FITTINGS

Standard Mount

HFIM24



THREAD	THREAD LENGTH	HEX	OAL	FITS
1/2" x 20NF	12mm	16mm	44mm	US

HFIM25



THREAD	THREAD LENGTH	HEX	OAL	FITS
3/8" x 24NF	12mm	16mm	71mm	US

HFIM26



THREAD	THREAD LENGTH	HEX	OAL	FITS
7/16" x 24NS	13.5mm	16mm	78mm	US

HFIM27



THREAD	THREAD LENGTH	HEX	OAL	FITS
7/16" x 20NF	13mm	16mm	63mm	US

HFIM32



Designed for bonded washer

THREAD	THREAD LENGTH	HEX	OAL	FITS
1/8" x 28BSPP	10mm	14mm	37mm	V

AN Joiner

HFIM28



No. 3 JIC

THREAD	THREAD LENGTH	HEX	OAL	FITS
3/8" x 24NF	14mm	14mm	42mm	V

HFIM29



No. 4 JIC

THREAD	THREAD LENGTH	HEX	OAL	FITS
7/16" x 20NF	14mm	14mm	43mm	V

Bulkhead Mount

HFIM02



THREAD	THREAD LENGTH	HEX	OAL	FITS
3/8" x 24NF	24mm	16mm	52mm	V

HFIM05



THREAD	THREAD LENGTH	HEX	OAL	FITS
3/8"NF-1/2"NF	26.5mm	16mm	55mm	EU

HFIM06



THREAD	THREAD LENGTH	HEX	OAL	FITS
7/16" x 20NF	28.5mm	17mm	56mm	V

HFIM07



THREAD	THREAD LENGTH	HEX	OAL	FITS
1/2" x 20NF	32mm	19mm	60mm	V

HFIM12



THREAD	THREAD LENGTH	HEX	OAL	FITS
3/8" x 24NF	24mm	16mm	75mm	EU

A = Asian

EU = European

US = United States

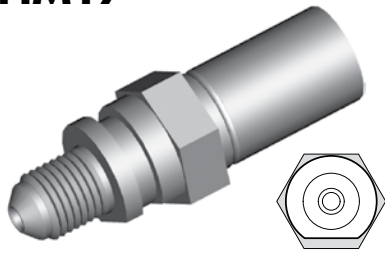
UNI = Universal

V = Various

IMPERIAL MALE FITTINGS

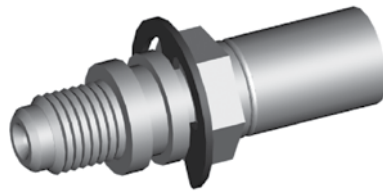
Clip Mount

HFIM17



THREAD	THREAD LENGTH	HEX	OAL	FITS
3/8" x 24NF	12mm	16mm	49mm	US

HFIM22



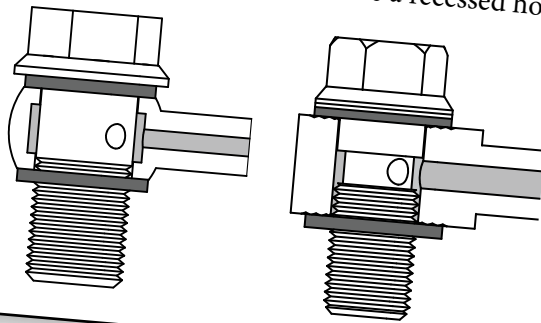
THREAD	THREAD LENGTH	HEX	OAL	FITS
7/16" x 20NF	13mm	16mm	51mm	US

DID YOU KNOW?

It is impossible to stock every fitting. That is why BrakeQuip supplies lifesavers to fill in the gaps. Currently BrakeQuip offers five different lifesavers to suit different fitting situations. This makes it easy and efficient for you to reuse the original fitting. The HF01 & HF26 are virtually the same and are designed for most standard fittings. However these have a tubing countersunk in them so that you can easily braze tube directly to them to make up custom fittings. The HF27 is designed to suit all the fittings that have a 5/16" (8mm) tube attached to it. The HF120 is designed to reuse all banjo fittings that have 7mm shank such as the HFB09. The HF05 is designed to reuse all center support fittings.

DID YOU KNOW?

It is important to match a banjo bolt to the correct banjo fitting. If the banjo fitting hole is "scalloped" out then it doesn't matter if the banjo bolt has a groove at the inlet port. The fluid flow can be restricted if you use a banjo bolt that does not have a relief at the outlet port into a banjo fitting that does not have a recessed hole.



A = Asian

EU = European

US = United States

UNI = Universal

V = Various