

CENTER SUPPORT FITTINGS

HFC01



MATERIAL	WIDTH	OAL	FITS
Steel	17mm	33mm	A

HFC02



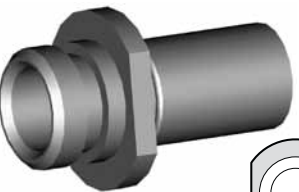
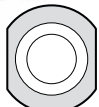

MATERIAL	WIDTH	OAL	FITS
Steel	17mm	34mm	A

HFC06




MATERIAL	WIDTH	OAL	FITS
Steel	17mm	34mm	A

HFC07

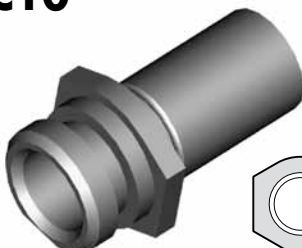
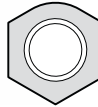
MATERIAL	WIDTH	OAL	FITS
Steel	19mm	35mm	A

HFC09



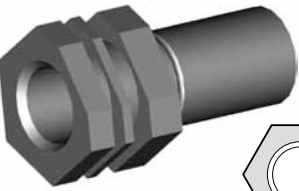
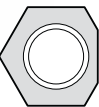

MATERIAL	WIDTH	OAL	FITS
Steel	17mm	34mm	A

HFC10


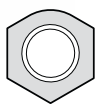
MATERIAL	WIDTH	OAL	FITS
Steel	19mm	35mm	A

HFC11

MATERIAL	WIDTH	OAL	FITS
Steel	19mm	37mm	A

HFC12

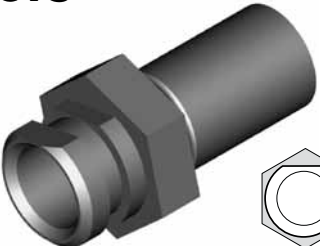
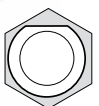
MATERIAL	WIDTH	OAL	FITS
Steel	17mm	35mm	A

HFC13



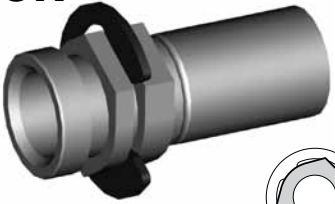
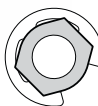

MATERIAL	WIDTH	OAL	FITS
Steel	17mm	33mm	A

HFC15

MATERIAL	WIDTH	OAL	FITS
Steel	19mm	37mm	A

HFC17

MATERIAL	WIDTH	OAL	FITS
Steel	16mm	37mm	US

HFC301



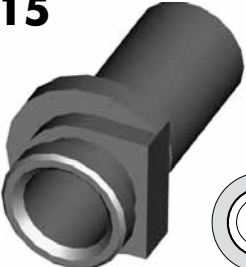
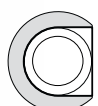

MATERIAL	WIDTH	OAL	FITS
Steel	20mm	33mm	EU

HFC307




MATERIAL	WIDTH	OAL	FITS
Steel	19mm	36mm	US

HFC315

MATERIAL	WIDTH	OAL	FITS
Steel	22mm	34mm	A

HFC327




MATERIAL	WIDTH	OAL	FITS
Steel	21mm	37mm	US

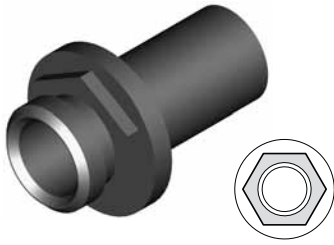
Clip Mount

A = Asian EU = European US = United States UNI = Universal V = Various

CENTER SUPPORT FITTINGS

Clip Mount

HFC331



MATERIAL	WIDTH	OAL	FITS
Steel	33mm	34mm	A

HFC04



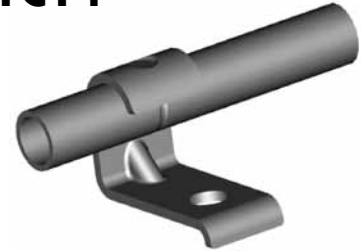
MATERIAL	WIDTH	OAL	FITS
Steel	39mm	30mm	A

HFC05



MATERIAL	WIDTH	OAL	FITS
Steel	20mm	30mm	A

HFC14



MATERIAL	WIDTH	OAL	FITS
Steel	33mm	80mm	US

HFC18



MATERIAL	WIDTH	OAL	FITS
Steel	24mm	48mm	US

HFC19



MATERIAL	WIDTH	OAL	FITS
Steel	24mm	48mm	US

HFC316



MATERIAL	WIDTH	OAL	FITS
Steel	22mm	36mm	A

Bracket Mount

HFC317



Left

MATERIAL	WIDTH	OAL	FITS
Steel	45mm	48mm	A

HFC318



Right

MATERIAL	WIDTH	OAL	FITS
Steel	45mm	48mm	A

HFC319



Left

MATERIAL	WIDTH	OAL	FITS
Steel	45mm	50mm	A

HFC320



Right

MATERIAL	WIDTH	OAL	FITS
Steel	45mm	50mm	A

HFC321



Left

MATERIAL	WIDTH	OAL	FITS
Steel	55mm	50mm	A

HFC322



Left

MATERIAL	WIDTH	OAL	FITS
Steel	40mm	42mm	A

A = Asian

EU = European

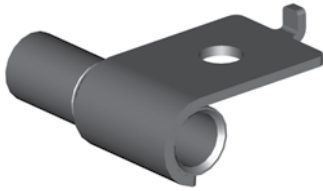
US = United States

UNI = Universal

V = Various

CENTER SUPPORT FITTINGS

HFC323



Left

MATERIAL	WIDTH	OAL	FITS
Steel	45mm	48mm	A

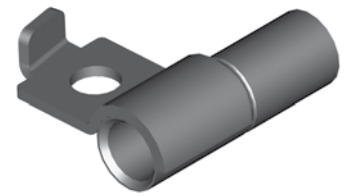
HFC324



Right

MATERIAL	WIDTH	OAL	FITS
Steel	55mm	50mm	A

HFC325



Right

MATERIAL	WIDTH	OAL	FITS
Steel	40mm	42mm	A

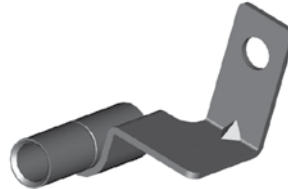
HFC326



Right

MATERIAL	WIDTH	OAL	FITS
Steel	45mm	48mm	A

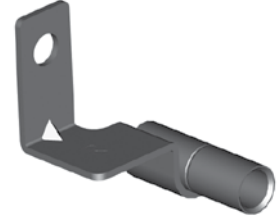
HFC328



Left

MATERIAL	WIDTH	OAL	FITS
Steel	45mm	50mm	A

HFC329



Right

MATERIAL	WIDTH	OAL	FITS
Steel	45mm	50mm	A

Bracket Mount

DID YOU KNOW?

Have you noticed all the different profiles in particular on female fittings between the retaining clip groove and the mounting shoulder? You will find this corresponding shape in the chassis or bracket where the fitting mounts. This is designed so that the hose is routed with the correct orientation. It is very important to note this orientation when assembling brake hoses. It is particularly important to make note of the orientation before you cut off any fitting you are going to reclaim with our lifesaver. Once you cut it off you have lost your orientation reference.

A = Asian

EU = European

US = United States

UNI = Universal

V = Various