

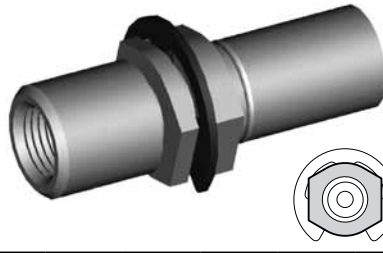
METRIC FEMALE FITTINGS

HFMF01



THREAD	SEAT	MOUNT	HEX	OAL	FITS
M10 x 1	Inverted	Clip	17mm	38mm	V

HFMF02



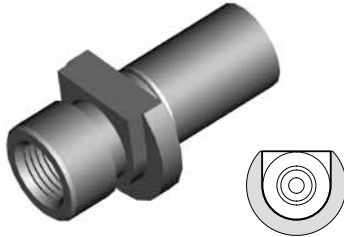
THREAD	SEAT	MOUNT	HEX	OAL	FITS
M10 x 1	Inverted	Clip	17mm	47mm	A

HFMF04



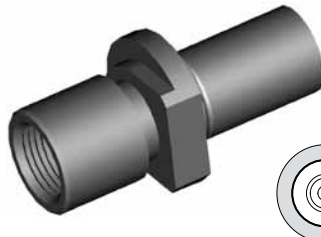
THREAD	SEAT	MOUNT	HEX	OAL	FITS
M10 x 1	Inverted	Clip	17mm	38mm	A

HFMF06



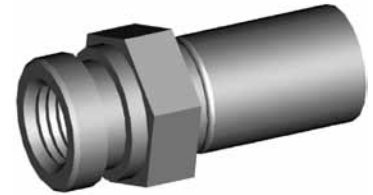
THREAD	SEAT	MOUNT	HEX	OAL	FITS
M10 x 1	Inverted	Clip	-	39mm	A

HFMF07



THREAD	SEAT	MOUNT	HEX	OAL	FITS
M12 x 1	Inverted	Clip	-	45mm	A

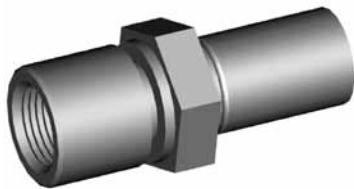
HFMF09



THREAD	SEAT	MOUNT	HEX	OAL	FITS
M10x1.25	Inverted	Clip	17mm	37mm	V

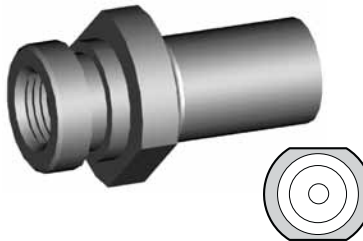
Clip Mount - Inverted Seat

HFMF10



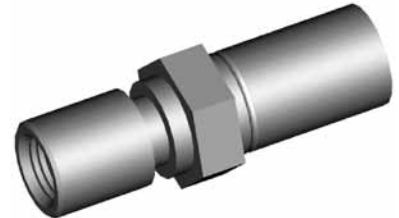
THREAD	SEAT	MOUNT	HEX	OAL	FITS
M12 x 1	Inverted	Clip	19mm	46mm	A

HFMF11



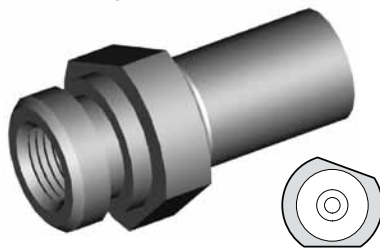
THREAD	SEAT	MOUNT	HEX	OAL	FITS
M10 x 1	Inverted	Clip	19mm	37mm	A

HFMF12



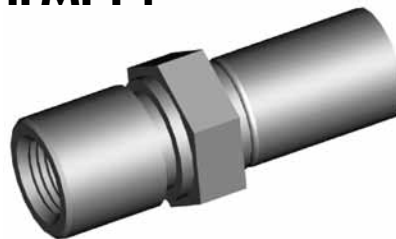
THREAD	SEAT	MOUNT	HEX	OAL	FITS
M9 x 1	Inverted	Clip	16mm	47mm	A

HFMF13



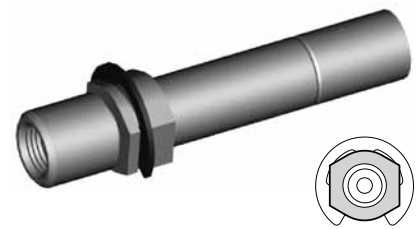
THREAD	SEAT	MOUNT	HEX	OAL	FITS
M10 x 1	Inverted	Clip	-	38mm	A

HFMF14



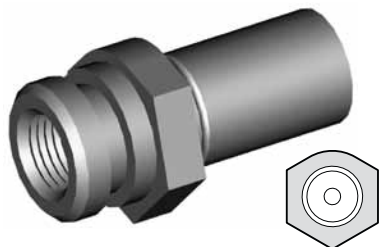
THREAD	SEAT	MOUNT	HEX	OAL	FITS
M10 x 1	Inverted	Clip	17mm	45mm	A

HFMF15



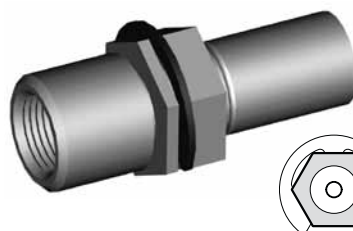
THREAD	SEAT	MOUNT	HEX	OAL	FITS
M10 x 1	Inverted	Clip	17mm	77mm	A

HFMF16



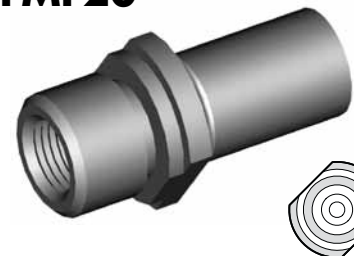
THREAD	SEAT	MOUNT	HEX	OAL	FITS
M10 x 1	Inverted	Clip	19mm	37mm	V

HFMF19



THREAD	SEAT	MOUNT	HEX	OAL	FITS
M12 x 1	Inverted	Clip	19mm	47mm	A

HFMF20



THREAD	SEAT	MOUNT	HEX	OAL	FITS
M10 x 1	Inverted	Clip	17mm	38mm	A

A = Asian

EU = European

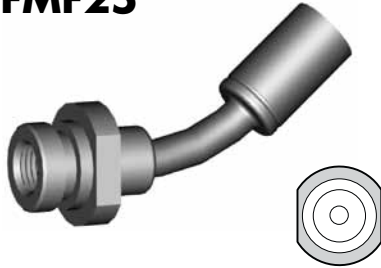
US = United States

UNI = Universal

V = Various

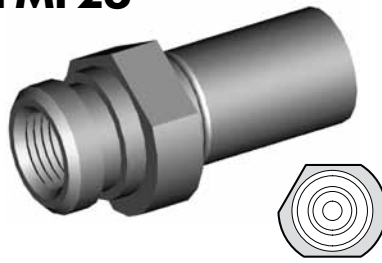
METRIC FEMALE FITTINGS

HFMF25



THREAD	SEAT	MOUNT	HEX	OAL	FITS
M10 x 1	Inverted	Clip	19mm	70mm	A

HFMF26



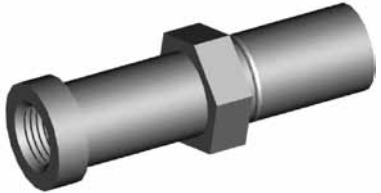
THREAD	SEAT	MOUNT	HEX	OAL	FITS
M10 x 1	Inverted	Clip	17mm	38mm	A

HFMF28



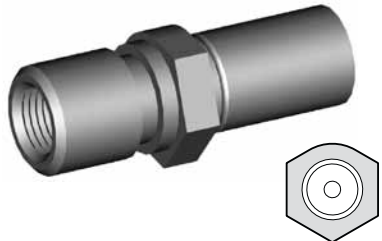
THREAD	SEAT	MOUNT	HEX	OAL	FITS
M10 x 1	Inverted	Clip	17mm	37mm	V

HFMF29



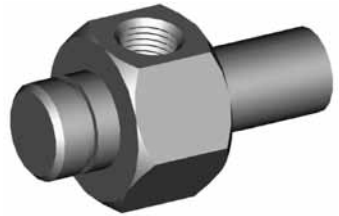
THREAD	SEAT	MOUNT	HEX	OAL	FITS
M10 x 1	Inverted	-	17mm	54mm	A

HFMF31



THREAD	SEAT	MOUNT	HEX	OAL	FITS
M10 x 1	Inverted	Clip	17mm	45mm	V

HFMF36



THREAD	SEAT	MOUNT	HEX	OAL	FITS
M10x1-(2)	Inverted	Clip	26mm	50mm	A

HFMF37



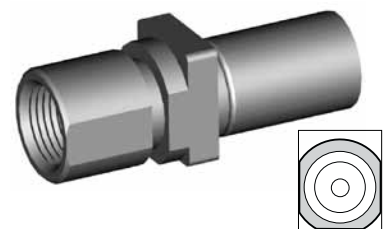
THREAD	SEAT	MOUNT	HEX	OAL	FITS
M10x1-(2)	Inverted	Clip	26mm	50mm	A

HFMF42



THREAD	SEAT	MOUNT	HEX	OAL	FITS
M12 x 1-(2)	Inverted	Clip	-	57mm	US

HFMF43



THREAD	SEAT	MOUNT	HEX	OAL	FITS
M12 x 1	Inverted	Clip	-	45mm	US

HFMF66



THREAD	SEAT	MOUNT	HEX	OAL	FITS
M10 x 1	Inverted	Clip	-	36mm	US

HFMF68



THREAD	SEAT	MOUNT	HEX	OAL	FITS
M10 x 1	Inverted	Clip	16mm	37mm	US

HFMF91



THREAD	SEAT	MOUNT	HEX	OAL	FITS
M12 x 1	Inverted	Clip	19mm	40mm	EU

HFMF92



THREAD	SEAT	MOUNT	HEX	OAL	FITS
M12 x 1	Inverted	Clip	16mm	45mm	US

HFMF93



THREAD	SEAT	MOUNT	HEX	OAL	FITS
M10 x 1	Inverted	Clip	17mm	47mm	EU

HFMF307



THREAD	SEAT	MOUNT	HEX	OAL	FITS
M10 x 1	Inverted	Clip	17mm	46mm	A

Clip Mount - Inverted Seat

A = Asian

EU = European

US = United States

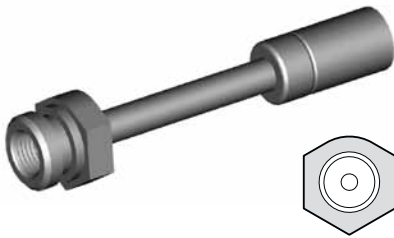
UNI = Universal

V = Various

METRIC FEMALE FITTINGS

Clip Mount - Inverted Seat

HFMF308



THREAD	SEAT	MOUNT	HEX	OAL	FITS
M10 x 1	Inverted	Clip	19mm	89mm	A

HFMF326

NEW



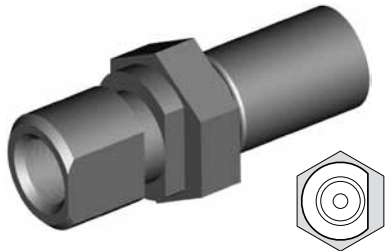
THREAD	SEAT	MOUNT	HEX	OAL	FITS
M10 x 1	Inverted	Clip	-	34mm	A

HFMF333



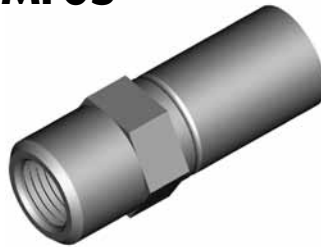
THREAD	SEAT	MOUNT	HEX	OAL	FITS
M10 x 1	Inverted	Clip	17mm	41mm	A

HFMF03



THREAD	SEAT	MOUNT	HEX	OAL	FITS
M10 x 1	DPS	Clip	19mm	46mm	A

HFMF05



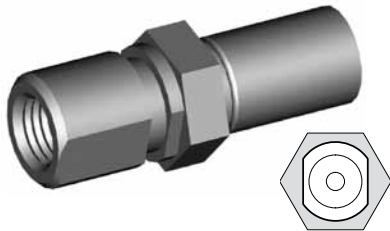
THREAD	SEAT	MOUNT	HEX	OAL	FITS
M10 x 1	DPS	Clip	14mm	38mm	EU

HFMF08



THREAD	SEAT	MOUNT	HEX	OAL	FITS
M10 x 1	DPS	Clip	17mm	41mm	V

HFMF21



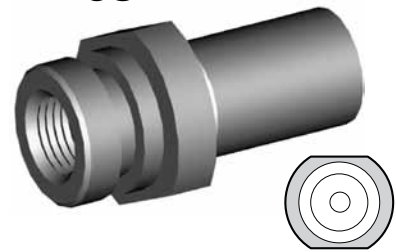
THREAD	SEAT	MOUNT	HEX	OAL	FITS
M10x1.25	DPS	Clip	17mm	47mm	EU

HFMF24



THREAD	SEAT	MOUNT	HEX	OAL	FITS
M10 x 1	DPS	Clip	19mm	38mm	V

HFMF35



THREAD	SEAT	MOUNT	HEX	OAL	FITS
M10 x 1	DPS	Clip	19mm	37mm	A

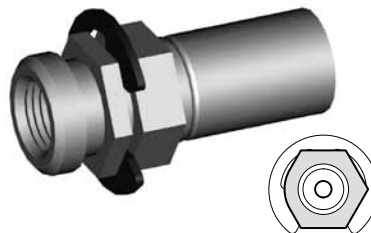
Clip Mount - DPS Seat

HFMF38



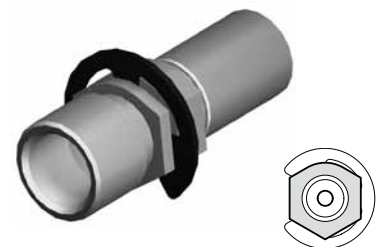
THREAD	SEAT	MOUNT	HEX	OAL	FITS
M10 x 1	DPS	Clip	16mm	37mm	US

HFMF39



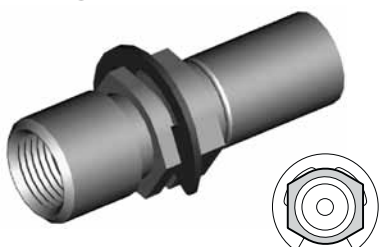
THREAD	SEAT	MOUNT	HEX	OAL	FITS
M10 x 1	DPS	Clip	16mm	39mm	US

HFMF47



THREAD	SEAT	MOUNT	HEX	OAL	FITS
M12x1	DPS	Clip	16mm	46mm	US

HFMF51



THREAD	SEAT	MOUNT	HEX	OAL	FITS
M12 x 1	DPS	Clip	16mm	47mm	US

HFMF54



THREAD	SEAT	MOUNT	HEX	OAL	FITS
M10 x 1	DPS	Clip	15.5mm	37mm	EU

HFMF55



THREAD	SEAT	MOUNT	HEX	OAL	FITS
M10 x 1	DPS	Clip	19mm	46mm	V

A = Asian

EU = European

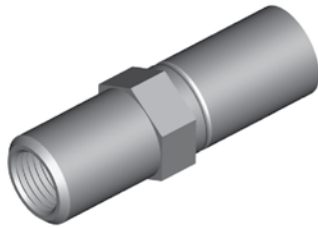
US = United States

UNI = Universal

V = Various

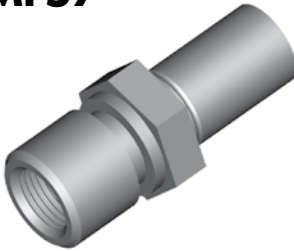
METRIC FEMALE FITTINGS

HFMF56



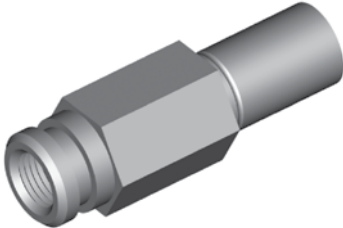
THREAD	SEAT	MOUNT	HEX	OAL	FITS
M10x1.25	DPS	Clip	14mm	45mm	EU

HFMF57



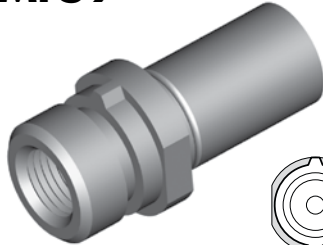
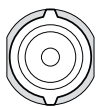
THREAD	SEAT	MOUNT	HEX	OAL	FITS
M12x1.25	DPS	Clip	19mm	46mm	EU

HFMF58



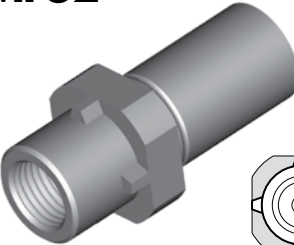
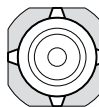
THREAD	SEAT	MOUNT	HEX	OAL	FITS
M10 x 1	DPS	Clip	17mm	54mm	V

HFMF59

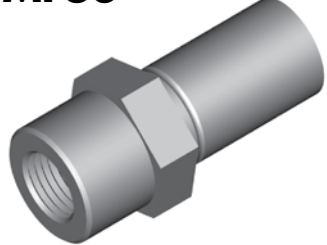
THREAD	SEAT	MOUNT	HEX	OAL	FITS
M10 x 1	DPS	Clip	17mm	38mm	EU

HFMF62

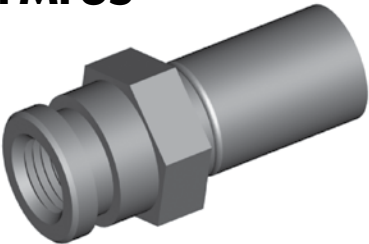
THREAD	SEAT	MOUNT	HEX	OAL	FITS
M10 x 1	DPS	Clip	17mm	39mm	EU

HFMF63




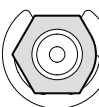
THREAD	SEAT	MOUNT	HEX	OAL	FITS
M10 x 1	DPS	Clip	17mm	39mm	EU

HFMF65



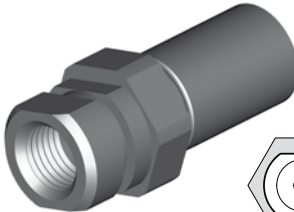
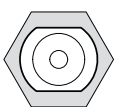
THREAD	SEAT	MOUNT	HEX	OAL	FITS
M10 x 1	DPS	Clip	17mm	39mm	A

HFMF67

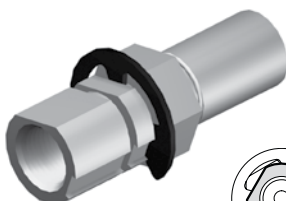

THREAD	SEAT	MOUNT	HEX	OAL	FITS
M10 x 1	DPS	Clip	16mm	46mm	US

HFMF71


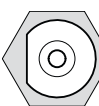
THREAD	SEAT	MOUNT	HEX	OAL	FITS
M10 x 1	DPS	Clip	17mm	39mm	EU

HFMF73


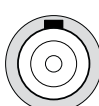
THREAD	SEAT	MOUNT	HEX	OAL	FITS
M10 x 1	DPS	Clip	17mm	-	US

HFMF74

THREAD	SEAT	MOUNT	HEX	OAL	FITS
M10 x 1	DPS	Clip	17mm	-	US

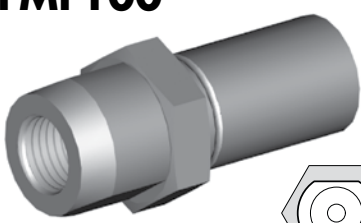
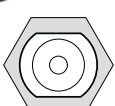
HFMF96

NEW

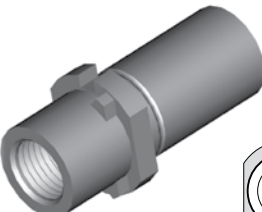
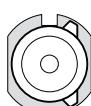
THREAD	SEAT	MOUNT	HEX	OAL	FITS
M10 x 1	DPS	Clip	5/8"	38mm	EU

HFMF100

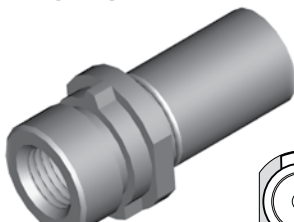
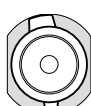
THREAD	SEAT	MOUNT	HEX	OAL	FITS
M10 x 1	DPS	Clip	17mm	39mm	EU

HFMF305

THREAD	SEAT	MOUNT	HEX	OAL	FITS
M10 x 1	DPS	Clip	15mm	37mm	EU

HFMF315

THREAD	SEAT	MOUNT	HEX	OAL	FITS
M10 x 1	DPS	Clip	17mm	36mm	A

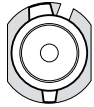
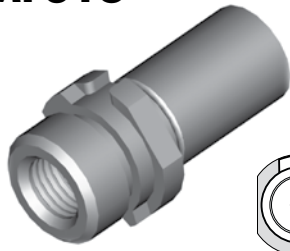
Clip Mount - DPS Seat

A = Asian EU = European US = United States UNI = Universal V = Various

METRIC FEMALE FITTINGS

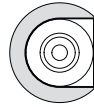
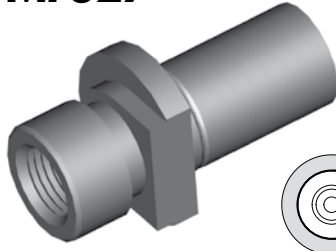
Clip - DPS Seat

HFMF316



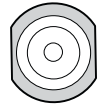
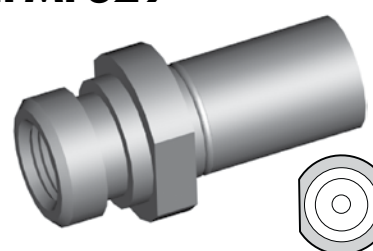
THREAD	SEAT	MOUNT	HEX	OAL	FITS
M10 x 1	DPS	Clip	17mm	36mm	A

HFMF327



THREAD	SEAT	MOUNT	HEX	OAL	FITS
M10 x 1	DPS	Clip	-	39mm	A

HFMF329



THREAD	SEAT	MOUNT	HEX	OAL	FITS
M10 x 1	DPS	Clip	17mm	38mm	A

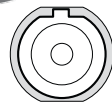
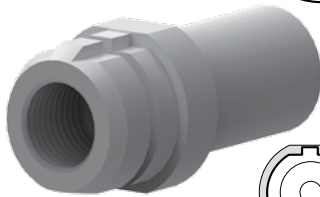
HFMF340



THREAD	SEAT	MOUNT	HEX	OAL	FITS
M10 x 1	DPS	Clip	15mm	37mm	EU

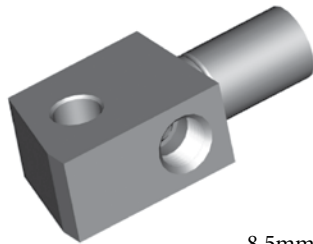
HFMF363

NEW



THREAD	SEAT	MOUNT	HEX	OAL	FITS
M10 x 1	DPS	Clip	-	38mm	EU

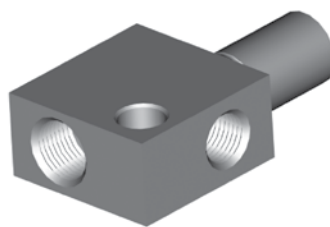
HFMF18



8.5mm Hole

THREAD	SEAT	MOUNT	HOLE	OAL	FITS
M10x1-(2)	Inverted	Bolted	8.5mm	55mm	A

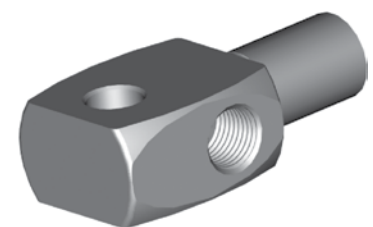
HFMF30



8.5mm Hole

THREAD	SEAT	MOUNT	HOLE	OAL	FITS
M12x1-10x1	Inverted	Bolted	8.5mm	54mm	A

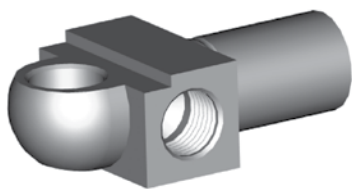
HFMF48



8.75mm Hole

THREAD	SEAT	MOUNT	HOLE	OAL	FITS
M10 x 1	Inverted	Bolted	8.75mm	53mm	A

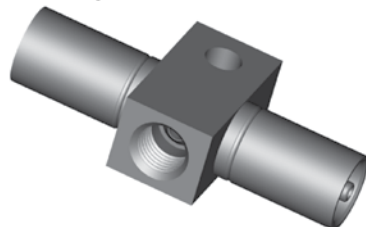
HFMF50



8/10mm Hole

THREAD	SEAT	MOUNT	HOLE	OAL	FITS
M10x1-(2)	DPS	Bolted	8/10mm	48mm	US

HFMF69

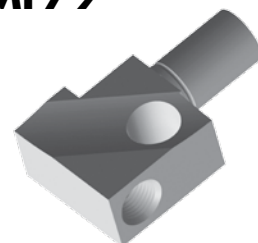


6.4mm Hole

THREAD	SEAT	MOUNT	HOLE	OAL	FITS
M10 x 1	Inverted	Bolted	6.4mm	62mm	A

HFMF79

NEW

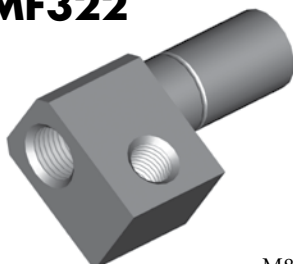


11.9mm Hole

THREAD	SEAT	MOUNT	HOLE	OAL	FITS
M11 x 1.5 (2)	Inverted	Bolted	-	56mm	US

Bolt On Mount

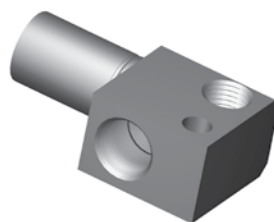
HFMF322



M8 x 1.25

THREAD	SEAT	MOUNT	HOLE	OAL	FITS
M10 x 1	Inverted	Bolted	M8 x 1.25	42mm	A

HFMF328



M8 x 1.25

THREAD	SEAT	MOUNT	HOLE	OAL	FITS
M10 x 1	DPS	Bolted	M8 x 1.25	46mm	A

A = Asian

EU = European

US = United States

UNI = Universal

V = Various

METRIC FEMALE FITTINGS

HFMFX01



5/8" x 18NF External Thread

THREAD	SEAT	MOUNT	HEX	OAL	FITS
M10 x 1	Inverted	Bulkhead	19mm	45mm	V

HFMFX02



5/8" x 18NF External Thread

THREAD	SEAT	MOUNT	HEX	OAL	FITS
M10x1.25	Inverted	Bulkhead	19mm	45mm	V

HFMFX04

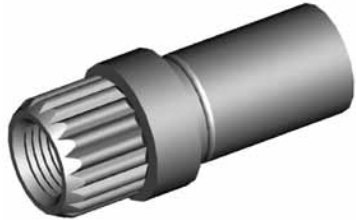


5/8" x 18NF External Thread

THREAD	SEAT	MOUNT	HEX	OAL	FITS
M10 x 1	DPS	Bulkhead	19mm	45mm	V

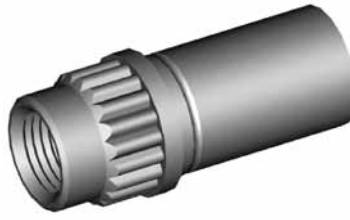
Bulkhead Mount

HFMF22



THREAD	SEAT	MOUNT	HEX	OAL	FITS
M10 x 1	DPS	Spline	-	39mm	EU

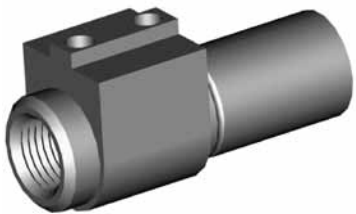
HFMF27



THREAD	SEAT	MOUNT	HEX	OAL	FITS
M10 x 1	DPS	Spline	-	36mm	EU

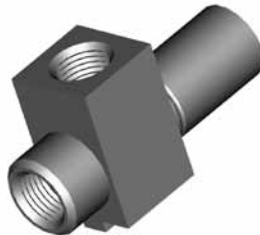
Spline Mount

HFMF40



THREAD	SEAT	MOUNT	HEX	OAL	FITS
M10 x 1	DPS	Bracket	-	42mm	US

HFMF41



THREAD	SEAT	MOUNT	HEX	OAL	FITS
M10x1-(2)	DPS	Bracket	-	44mm	US

HFMF70



THREAD	SEAT	MOUNT	HEX	OAL	FITS
M10x1-(2)	DPS	Bracket	-	54mm	US

HFMF90



THREAD	SEAT	MOUNT	HEX	OAL	FITS
M10 x 1	DPS	Bracket	-	48mm	US

HFMF311



THREAD	SEAT	MOUNT	HEX	OAL	FITS
M12 x 1	DPS	Bracket	-	55mm	US

HFMF312



THREAD	SEAT	MOUNT	HEX	OAL	FITS
M10 x 1	DPS	Bracket	-	55mm	US

Bracket Mount

HFMF313



THREAD	SEAT	MOUNT	HEX	OAL	FITS
M12 x 1	DPS	Bracket	-	48mm	US

HFMF317



THREAD	SEAT	MOUNT	HEX	OAL	FITS
M10 x 1	Inverted	Bracket	-	48mm	A

HFMF318



THREAD	SEAT	MOUNT	HEX	OAL	FITS
M10 x 1	Inverted	Bracket	-	115mm	A

A = Asian

EU = European

US = United States

UNI = Universal

V = Various

METRIC FEMALE FITTINGS

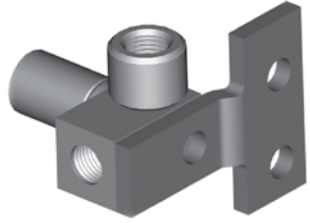
Bracket Mount

HFMF319



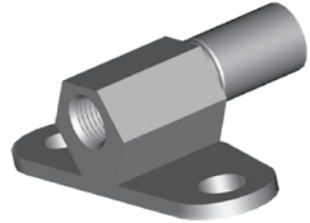
THREAD	SEAT	MOUNT	HEX	OAL	FITS
M10 x 1	Inverted	Bracket	-	115mm	A

HFMF320



THREAD	SEAT	MOUNT	HEX	OAL	FITS
M10 x 1-(2)	Inverted	Bracket	-	38mm	A

HFMF324



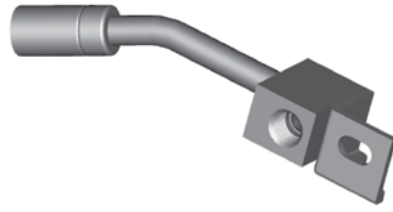
THREAD	SEAT	MOUNT	HEX	OAL	FITS
M10 x 1	Inverted	Bracket	-	46mm	A

HFMF325



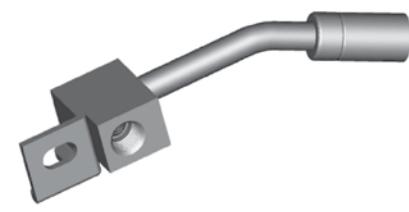
THREAD	SEAT	MOUNT	HEX	OAL	FITS
M10 x 1	Inverted	Bracket	-	45mm	A

HFMF342



THREAD	SEAT	MOUNT	HEX	OAL	FITS
M10 x 1	Inverted	Bracket	-	100mm	A

HFMF343



THREAD	SEAT	MOUNT	HEX	OAL	FITS
M10 x 1	Inverted	Bracket	-	100mm	A

BQ71



Bracket Retaining Screws

(PKT 50)

This thread forming screw is required to secure bracket to bracket mount fittings.

DID YOU KNOW?

The purpose of the circular groove on the fitting crimp shell is threefold.

1. It helps to differentiate BQ fittings from others.
2. It acts as a depth guide for the hose installation.
3. It is used as a crimp setting guide for the economy crimping systems.

A = Asian

EU = European

US = United States

UNI = Universal

V = Various